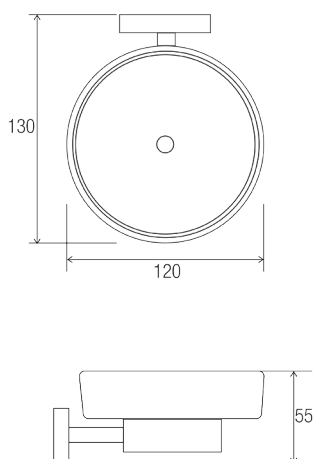


DIMENSIONS



INDICATIVE IMAGE



SOAP DISH HOLDER

Product Code - Finish

- BA 901 C - Chrome/Frosted Glass

Features

- Wall mounted soap dish holder
- Frosted glass dish
- Brass construction
- Chrome plated finish
- Stainless steel fixings supplied

Compliance

- Not required for sale

Warranty

See Con-Serv warranty policy for full details.

CON-SERV CORPORATION AUSTRALIA PTY. LTD.

17 Glentanna Street, Kedron · Qld. 4031 Australia

Phone: +61 (0)7 3630 5744 · Fax: +61 (0)7 3630 5755 · Email: mail@con-serv.com.au · www.con-serv.com.au